

VECTOR



The VECTOR bracket range was inspired by a simple and timeless design combined with functionality. The result is a modern bracket that perfectly integrates all landscapes.

The standard VECTOR range is available in several versions (single, double, lateral and wall) and can be adapted to other versions (e.g. triple) on request.

It is made of galvanised steel and is available in all standard Schröder colours.

Certified for loads defined in EN40, the VECTOR range can be installed on poles for CE marking.

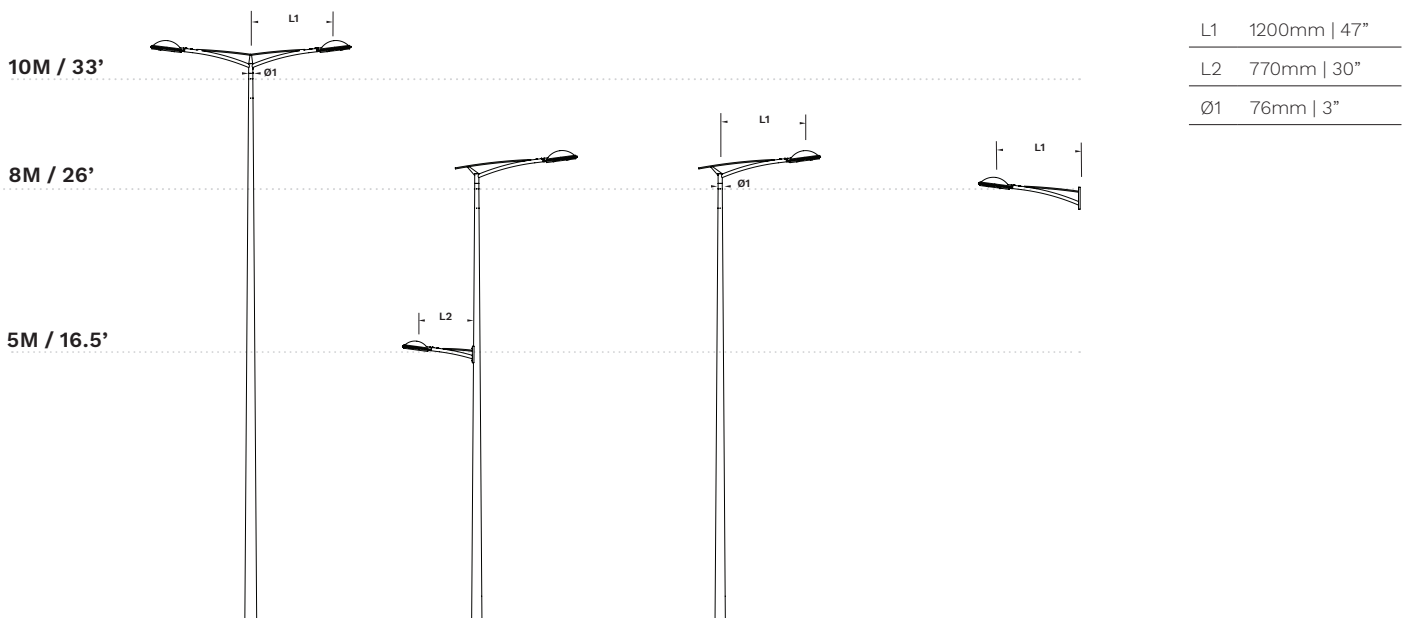
Technical information

GENERAL

Housing	Galvanised steel
Finish	Polyester powder-coating
Colour	AKZO 900 grey sanded
	Any RAL or AKZO colour upon request

Pull wire included	Yes, for post-top versions
Sea-side coating	Available upon request

DIMENSIONS



PRODUCT VARIANTS

Type	Length (mm)	Ordering code	To pole			Wall	To luminaire			
			Diameter	Tube penetrating (male)	Enclosing (female)		Diameter	Penetrating (male)	Enclosing (female)	Lateral on pole min. diameter
Single	1200	VEC001P	Ø76	x			Ø60	x	x	
Double	1200	VEC002P	Ø76	x			Ø60	x	x	
Lateral & Wall	770	VEC011P				x	Ø60	x	x	min> Ø80
Lateral & Wall	1200	VEC010P				x	Ø60	x	x	min> Ø80

Note: this information is to be combined with the specific technical drawing.

LUMINAIRE COMPATIBILITY

Family	Type	Length (mm)	Ordering code	AMPERA		AXIA	CMS / CITEA NG				FALCO		FLEXIA		FURYO	HESTIA	IZYLUM	PIANO	SENSO	TECEO (Gen1) (sizes S & 1)	TECEO GEN2 (all sizes)	YMERA		YOA Mid & Maxi	
				Universal 48-60mm	Universal 60 penetrating		Lateral entry 42-60mm	Lateral entry 60 enclosing	Lateral entry 60 penetrating	Rotule diam D60mm penetrating	Rotule diam D60mm enclosing	Universal 48-60mm	Lateral entry enclosing	Lateral entry penetrating								Knuckle joint Ø60 enclosing	Knuckle joint Ø60 penetrating		Lateral entry 60
VECTOR	Top single	1200	VEC001P	X	X	X	X	X	X	X	X	X	X	X	X	O	X	X	X	X	X	X	X	X	X
VECTOR	Top double	1200	VEC002P	X	X	X	X	X	X	X	X	X	X	X	X	O	X	X	X	X	X	X	X	X	X
VECTOR	Lateral	770	VEC011P	X	X	X	X	X	X	X	X	X	X	X	X	O	X	X	X	X	X	X	X	X	X
VECTOR	Lateral	1200	VEC010P	X	X	X	X	X	X	X	X	X	X	X	X	O	X	X	X	X	X	X	X	X	X

x = standard available / o= option

INFORMATION FOR EN40 CALCULATION

Name	Ordering code	Type	Length (mm)	Centre of pressure on X (mm)	Centre of pressure on Z (mm)	Endpoint bracket on X (mounting point - mm)	Endpoint bracket on Z (mounting point - mm)	CxS (m ²)	Weight (kg)
VECTOR single	VEC001P	Single	1200	424	293	1200	425	0.12	12.5
VECTOR double	VEC002P	Double	1200	0	309	1200	425	0.2	19.5
VECTOR lateral	VEC011P	Lateral & Wall	770	303	40	770	92	0.06	6
VECTOR lateral	VEC010P	Lateral & Wall	1200	420	309	1200	425	0.045	9.5

