

LUTECIA



Thanks to its' very unique design, a luminaire installed on the LUTECIA bracket will be easily recognisable from afar, providing an aesthetic urban element to enhance every environment.

With two pole interface sizes available it can be installed everywhere from large avenues to small side streets.

The LUTECIA bracket is made out of die-cast aluminium and is available in all standard Schröder colours.

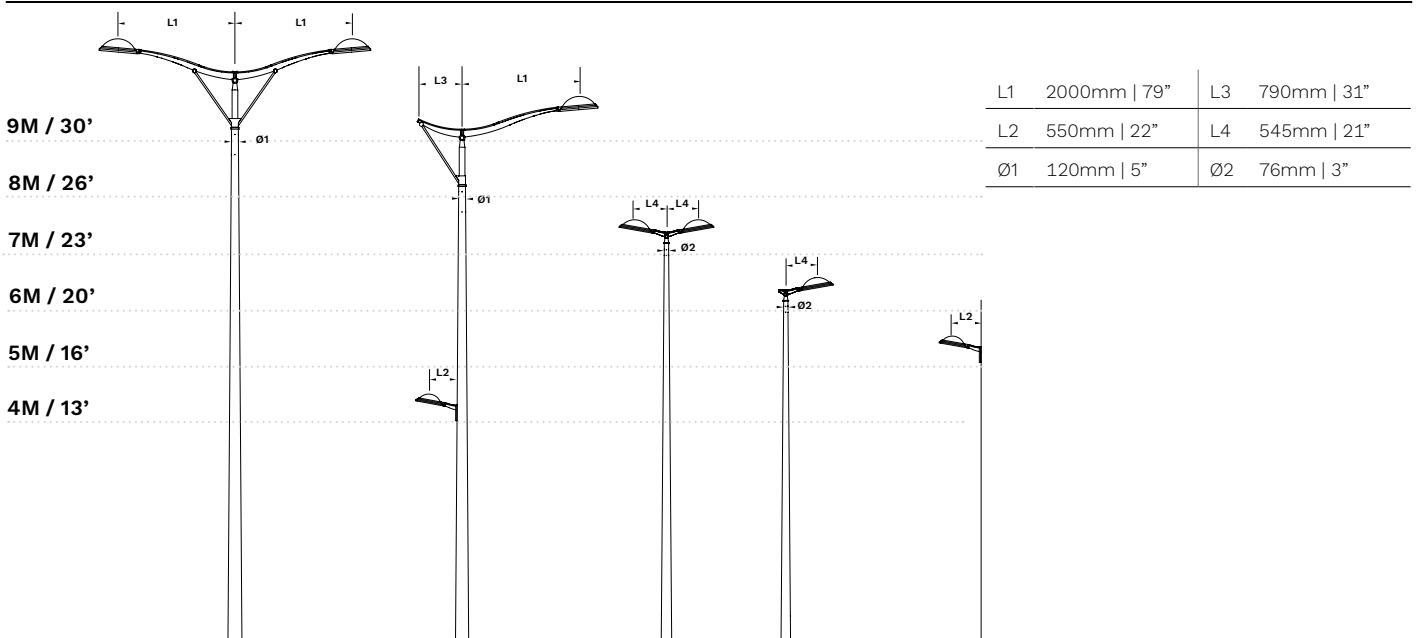
Certified for loads defined in EN40, the LUTECIA range can be installed on poles for CE marking.

Technical information

GENERAL

Housing	Die-cast aluminum	Pull wire included	Yes, for post-top versions
Finish	Polyester powder-coating	Sea-side coating	Available upon request
Colour	AKZO 900 grey sanded Any RAL or AKZO colour upon request		

DIMENSIONS



PRODUCT VARIANTS

Type	Length (mm)	Reference	To pole		Wall	To luminaire	
			Diameter (mm)	Tube penetrating (male)		Square fixation 4xM6 40x40	Square fixation 4xM6 40x49
LUTECIA top single 1700 V1	1700	LUT141P	Ø100 < Øpole < Ø120	X		X	
LUTECIA top single 1700 V2	1700	LUT142P	Ø100 < Øpole < Ø120	X			X
LUTECIA top double 1700 V1	1700	LUT241P	Ø100 < Øpole < Ø120	X		X	
LUTECIA top double 1700 V2	1700	LUT242P	Ø100 < Øpole < Ø120	X			X
LUTECIA top single 240	240	36A91D	Ø76 < Øpole < Ø89	x		X	
LUTECIA top double 240	240	36A99D	Ø76 < Øpole < Ø89	X		X	
LUTECIA lateral & wall 245	245	36AJ2D			X	X	

Note: this information is to be combined with the specific technical drawing.

LUMINAIRE COMPATIBILITY

Family	Type	Length (mm)	Reference	CMS / CITEA NG		FLEXIA E1 - HORIZONTAL SQUARE 40x40
				HORIZONTAL SQUARE 40x40 (mini / midi)	HORIZONTAL SQUARE 40x49 (maxi)	
LUTECIA	LUTECIA top single 1700 V1	1700	LUT141P	X		X
LUTECIA	LUTECIA top single 1700 V2	1700	LUT142P		X	
LUTECIA	LUTECIA top double 1700 V1	1700	LUT241P	x		X
LUTECIA	LUTECIA top double 1700 V2	1700	LUT242P		x	
LUTECIA	LUTECIA top single 240	240	36A91D	x		X
LUTECIA	LUTECIA top double 240	240	36A99D	x		X
LUTECIA	LUTECIA lateral & wall 240	240	36AJ2D	x		X

x = standard available

INFORMATION FOR EN40 CALCULATION

Name	Reference	Type	Length (mm)	Centre of pressure on X (mm)	Centre of pressure on Z (mm)	Endpoint bracket on X (mounting point - mm)	Endpoint bracket on Z (mounting point - mm)	CxS (m²)	Weight (kg)
LUTECIA top single 1700 V1 & V2	LUT141P & LUT142P	Single	1700	234	866	1695	1357	0,64	32,5
LUTECIA top double 1700 V1 & V2	LUT241P & LUT242P	Double	1700	0	905	1695	1357	0,85	37,4
LUTECIA top single 240	36A91D	Single	245	42	140	245	200	0,06	4,1
LUTECIA top double 240	36A99D	Double	245	0	142	245	200	0,08	4,8
LUTECIA lateral & wall 240	36AJ2D	Lateral & wall	240	42	25	200	30	0,06	2,9

